



SMART Document Camera

Display digital images in real time

The SMART Document Camera can help you add spontaneity and interactivity to your classroom, keeping students interested in learning. Use it during a lesson to show real-time images to your entire class on a SMART Board™ interactive whiteboard. You can also capture images or video and instantly transform them into digital content for your lessons.

Show clear, detailed close-ups

With a 5.2x optical and 8.0x digital zoom, the document camera delivers sharp, vivid images every time. Quickly direct learning by zooming in on the smallest detail or automatically focus images and adjust the brightness for varying light levels. And, the camera's LED lamp provides enough light for you to show images in a darkened room. You can even align the camera lens to a microscope eyepiece without needing an adapter.

Create interactive lesson content

The document camera comes with SMART Notebook software, which enables you to capture images and add them directly to a Notebook page. The software has many creative features to help you easily turn captured images into interactive material for lessons. You can operate the camera using control buttons built into the software.

Get started quickly in any location

It's easy for students and teachers to set up and use the SMART Document Camera. It conveniently connects to a computer, SMART Board interactive whiteboard or other display device. The document camera is also easy to share – carry it between classrooms or move it anywhere in a room. It's lightweight, and you can use a Kensington® cable lock to ensure it's stored securely in any classroom.

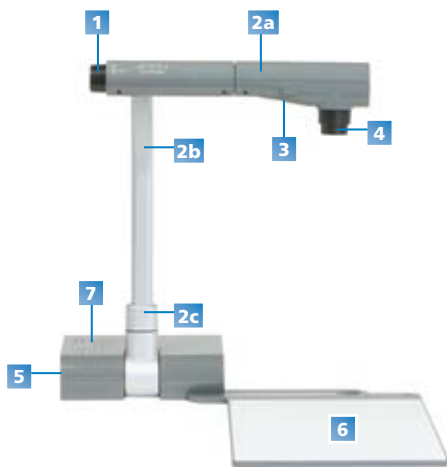


The SMART Document Camera uses a high-resolution video camera to display clear and detailed images in real time.

www.smarttech.com/documentcamera

Extraordinary made simple™

SMART
Technologies



Key features

- SMART Notebook software integration – Operate the camera through control buttons built into the software to capture images and add them directly to a Notebook page. You can also write over static or moving images with live annotations.
- Intuitive control panel – The camera's control buttons are clearly marked and easy to use. Quickly access them to adjust any setting.
- Optical and digital zoom – Get sharp, detailed images with the camera's 5.2x optical and 8.0x digital zoom.
- Removable presentation stage – The stage is separate from the document camera, so you can move it anywhere in the room.
- Rotating head and arm – Rotate the head vertically 90 degrees and the arm horizontally 180 degrees to view an object from any angle.
- Microscope mode – Quickly align the document camera's lens to a microscope eyepiece without needing an optical adapter.
- SD Memory Card slot – Use an SD Memory Card (not included) to save your work even when the document camera is not connected to a computer.
- Warranty – The SMART Document Camera comes with a five-year warranty.
- Accessories (included): AC adapter, anti-glare sheet (A5 size), RGB cable, USB cable, dust cover, installation and user's guide, removable presentation stage, TWAIN driver, magnetic sheet, Image Mate software



Features

- 1 Zoom and automatic focus
- 2 Rotating head and arm
- 3 LED lamp
- 4 Camera lens
- 5 SD Memory Card slot
- 6 Removable presentation stage
- 7 Control panel

Dimensions

Size
13 7/8" W x 14 5/8" D x 16 1/4" H
(35.2 cm x 37.1 cm x 41.3 cm)

Weight
6.4 lb. (2.9 kg)

Software and content resources for educators

SMART Notebook software

SMART Notebook software provides all the tools and features you need to create and deliver engaging and interactive lessons for all subject areas and grade levels.

- Create dynamic lessons using thousands of vibrant, curriculum relevant images, video files and lesson activities available in the software's Gallery
- Save files in various formats and e-mail them to students for review
- Write over moving or paused video, or record all screen activity as a video

SMART Learning Marketplace

The SMART Learning Marketplace is a content subscription service that offers over a million images, manipulatives and multimedia files. The service is powered by the Global Grid for Learning, a Cambridge University Press company.

- Access copyright-cleared images, video clips, audio files and manipulatives
- Search directly from SMART Notebook software or from the Learning Marketplace website
- Find digital resources from some of the world's leading content providers

Complementary resources

SMART Exchange

Join our free online community network and access a variety of useful resources to help you incorporate technology into your classroom.

SMART-accredited titles

Find complementary multimedia content and software that works with your SMART Board interactive whiteboard and SMART Notebook software.

Lesson activities

Created by educators for educators, SMART lesson activities are correlated to local curriculum standards for all core subjects.

For these resources and more, please visit the educator resources section of www.education.smarttech.com.

Authorized SMART reseller

Ribbon King



www.smartbahamas.com

SMART Technologies

Toll Free 1.888.42.SMART (U.S./Canada)

or +1.403.245.0333

www.smarttech.com/documentcamera

Extraordinary made simple™

SMART
Technologies